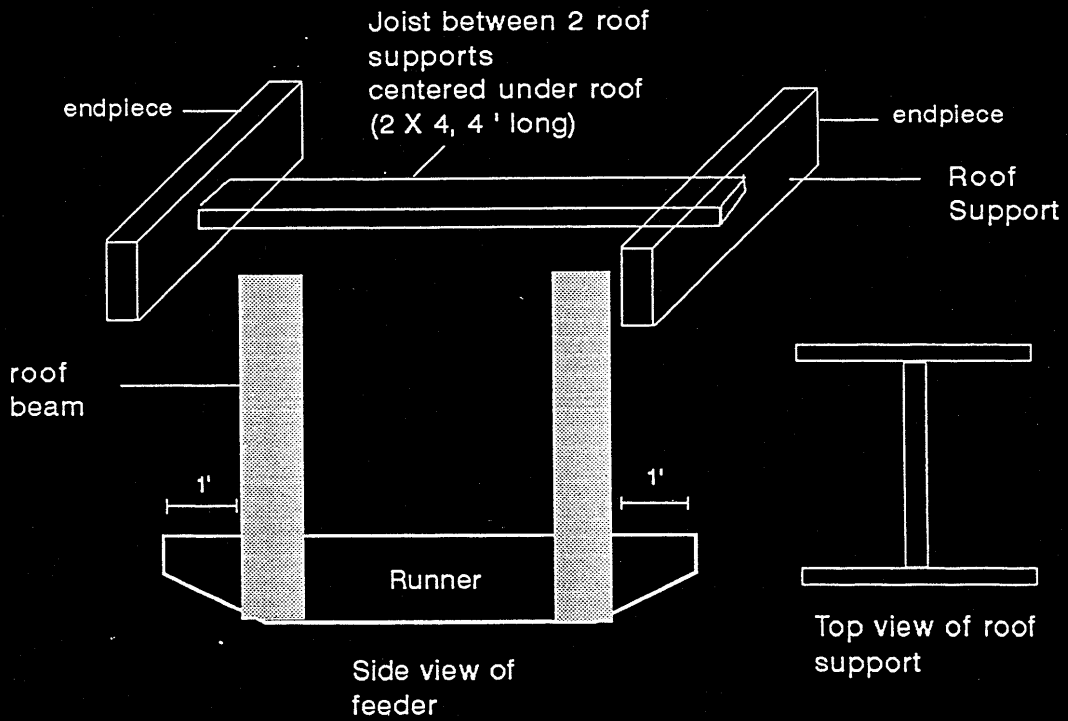
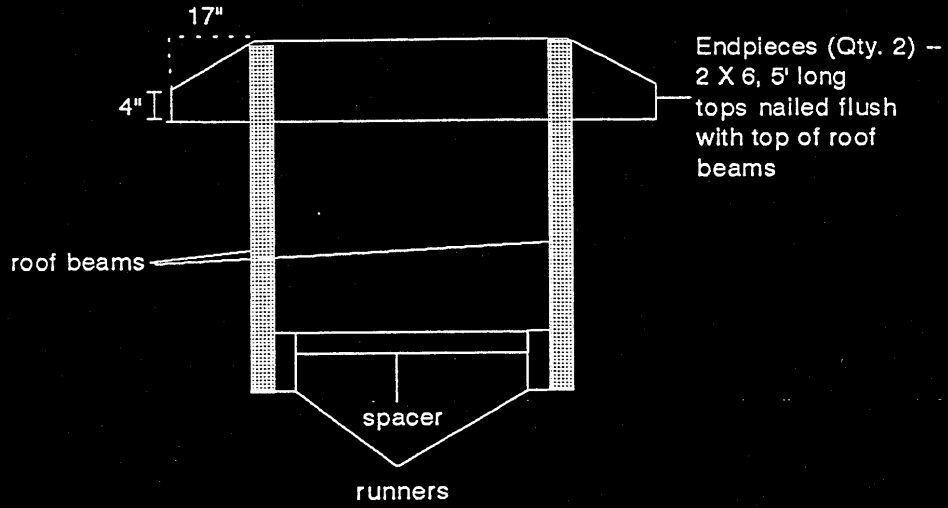


Auburn Deer Feeder

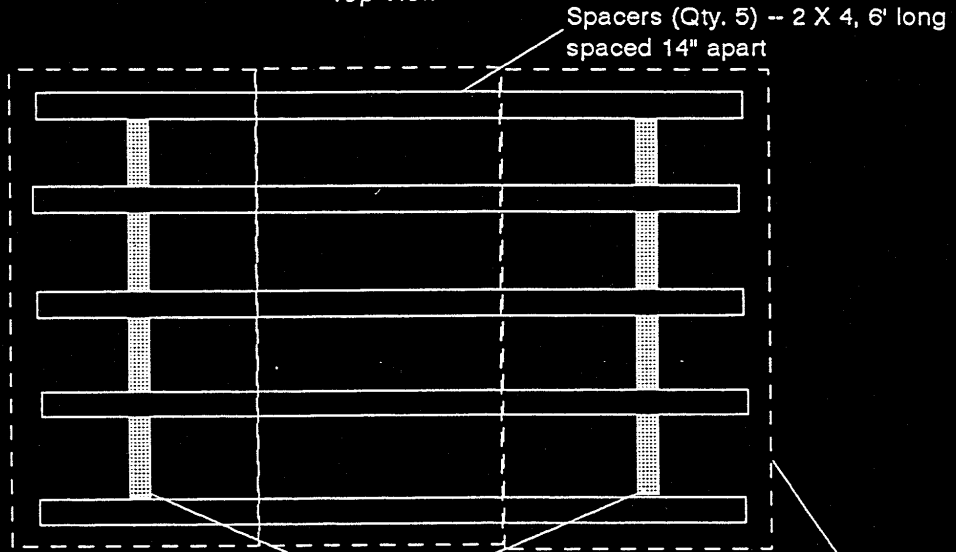


Roof Support



Roof

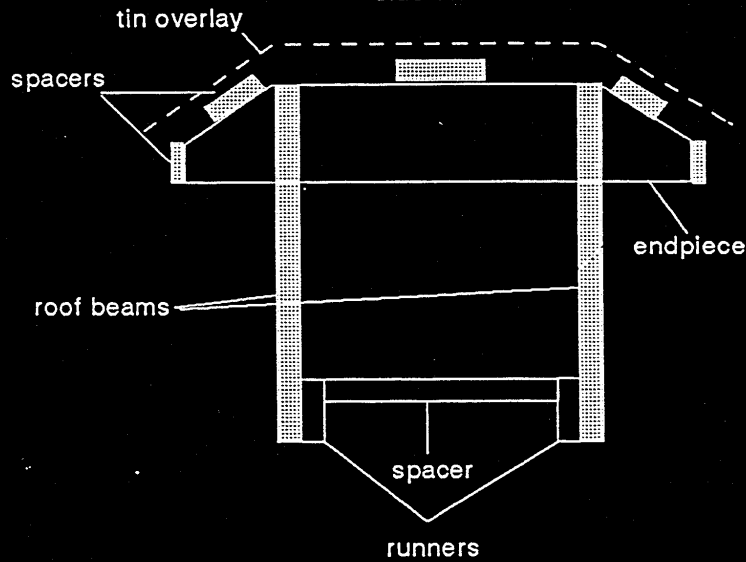
Top View



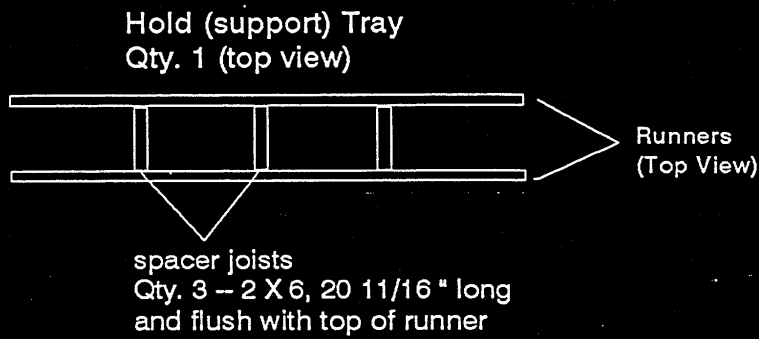
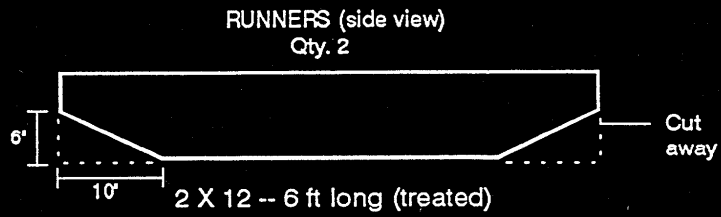
endpieces of roof support

Outline of Tin Roof --
Need 3 pieces of tin (2" wide, 68" long) to lay over spacers. Gives 2" of overhang.

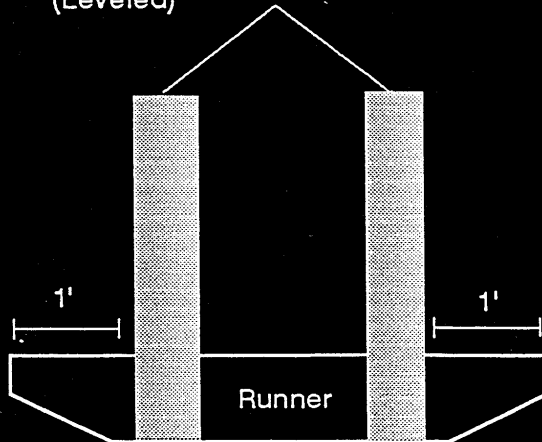
Side View



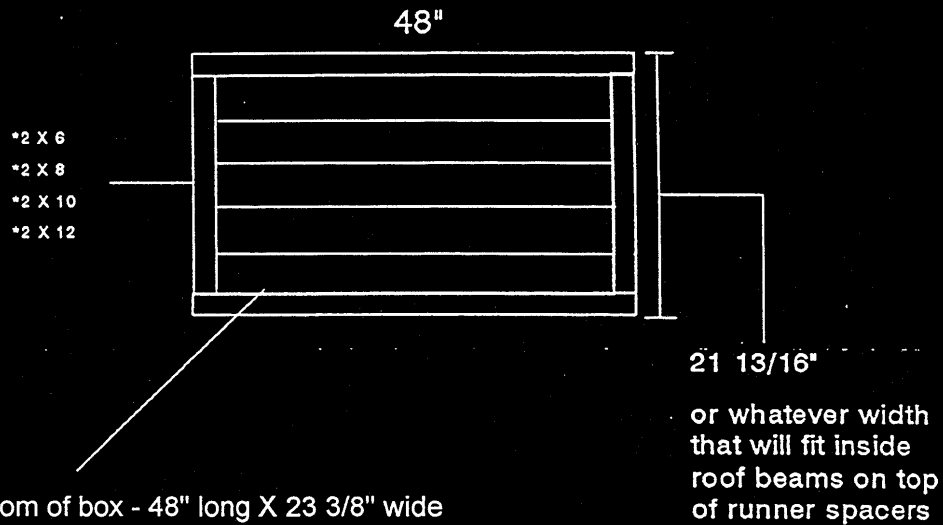
Note: For a sturdier deer feeder, use carriage bolts and/or wood screws to fasten parts together.



Roof Beams -- Qty. 4, 2 X 6, 5'tall (Side view)
(Leveled)



Feeder Box (Top View)



Bottom of box - 48" long X 23 3/8" wide
Use 5/4" X 6" treated decking. As decking dries
spaces about 1/8" wide will form between boards
which allows water to drain.

Cover bottom and inside of box with a nylon mesh feed/seed bag type material
stapled to wood. This allows water to pass through but prevents feed/seed
material from clogging spaces between boards.

* Volume of tray increases with board width by
making the feeder box deeper -- we use 2 X 8's.