

# A Closer Look

Wood Science

YANR-7d

ALABAMA COOPERATIVE EXTENSION SYSTEM, ALABAMA A&M AND AUBURN UNIVERSITIES

## 4-H Woodworking Exhibit Plan

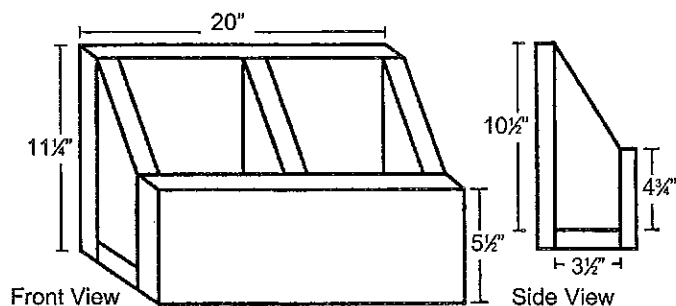
### A Magazine Rack

#### Materials Needed

One 20" length of 1" x 12" board for the back  
 One 20" length of 1" x 6" board for the front  
 One 20" length of 1" x 4" board for the bottom  
 Three 12-inch pieces of 1" x 4" board for the sides and center  
 No. 6 finishing nails  
 Sandpaper (80 grit and 210 grit)  
 Stain and varnish  
 (Note: all pieces should be cut from softwood lumber, not plywood)

#### Tools Needed

Pencil      Ruler      Hammer  
 Square      Handsaw      Small paintbrush



#### How to Make the Magazine Rack

- Using the ruler and square, cut the 1" x 12" board for the back to exactly 20" long. (Note: Buy a 1" x 12" board; it actually measures about 3/4" thick and 11 1/4" wide.)
- Cut the 1" x 6" board for the front to exactly 20" long. (Note: Buy a 1" x 6" board; it actually measures about 3/4" thick x 5 1/2" wide.)
- Cut the 1" x 4" board for the bottom to exactly 20". (Note: Buy a 1" x 4" board; it actually measures about 3/4" thick x 3 1/2" wide.)
- To make the sides and center pieces, first cut three pieces of 1" x 4" board to 12". Next, make a mark on one edge of the board at 10 1/2" and mark the opposite side of the board at 4 3/4". Then use a straight edge to mark a diagonal line between these two marks.
- Repeat Step 4 for the other two 1" x 4" boards and then cut along your marks. The side and center pieces should now be 10 1/2" x 3 1/2" x 4 3/4". (See side view diagram.)
- Assemble the bottom piece (1" x 4" x 20") to the back piece (1" x 12" x 20"), using No. 6 finishing nails.
- Assemble the front piece (1" x 6" x 20") to the bottom piece (1" x 4" x 20"), using No. 6 finishing nails.
- Assemble the two side pieces and the center piece (1" x 4 3/4" x 3 1/2" x 10 1/2") between the front and back pieces and flush with the bottom piece. Place the center piece halfway from either side. Nail together using No. 6 finishing nails.
- To finish your magazine rack, sand all surfaces first with 80 grit sandpaper and then smooth surfaces with 210 grit sandpaper. (Note: You may wish to sand the pieces some before you begin assembly.)
- Select a stain and apply it with a brush or a rag. Apply an appropriate varnish to finish the magazine rack (no paint).



YANR-7d

Bob Drakeford, *Extension Specialist*, Volunteer Programs, Auburn University.  
 Originally designed by Roger Vines, *Coosa County Extension Agent*.  
 Approved by state 4-H Wood Science Committee—Roger Vines, Chairman,  
 Thomas Futral, Henry Dorrough, and Chip East.

Issued in furtherance of Cooperative Extension work in agriculture and home economics, Acts of May 8 and June 30, 1914, and other related acts, in cooperation with the U.S. Department of Agriculture. The Alabama Cooperative Extension System (Alabama A&M University and Auburn University) offers educational programs, materials, and equal opportunity employment to all people without regard to race, color, national origin, religion, sex, age, veteran status, or disability.

Web Only, Reprinted July 2000, YANR-7d

